

Specification sheet LX 1605

**Parapet Drainage
Series 43 Parapet-Direct
with basin, 40 mm weir**

Emergency drainage

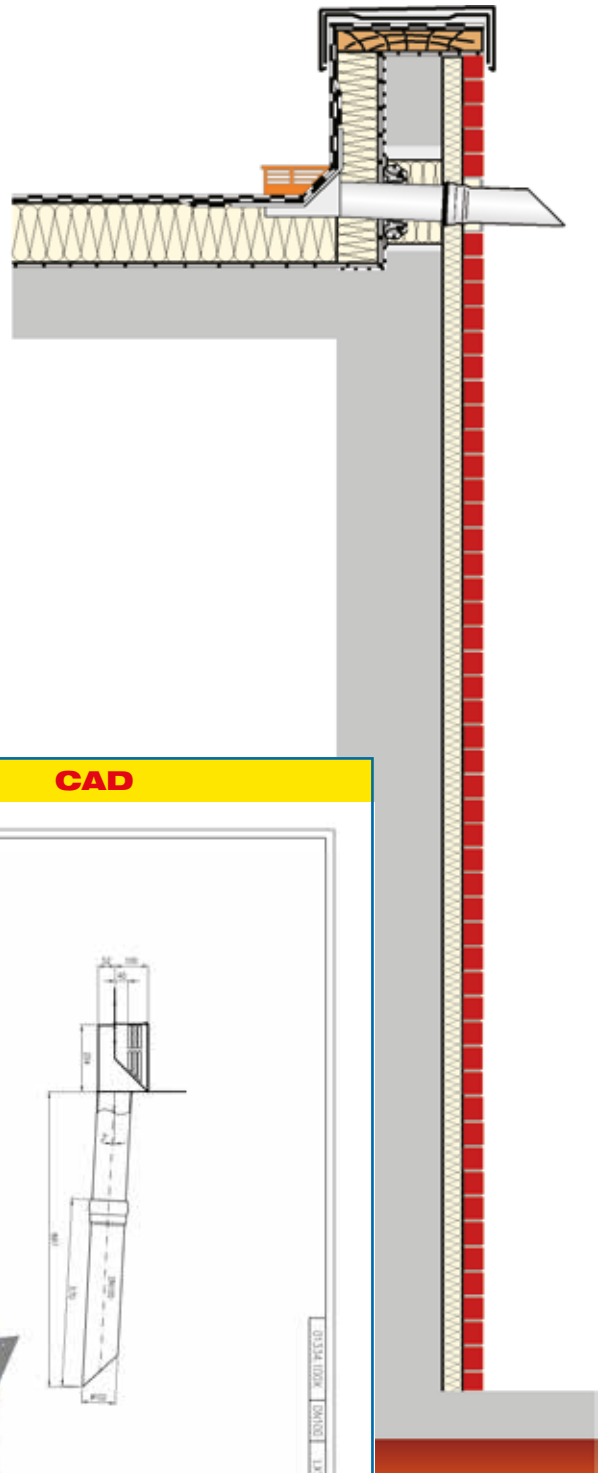
Gravity flow

Silent

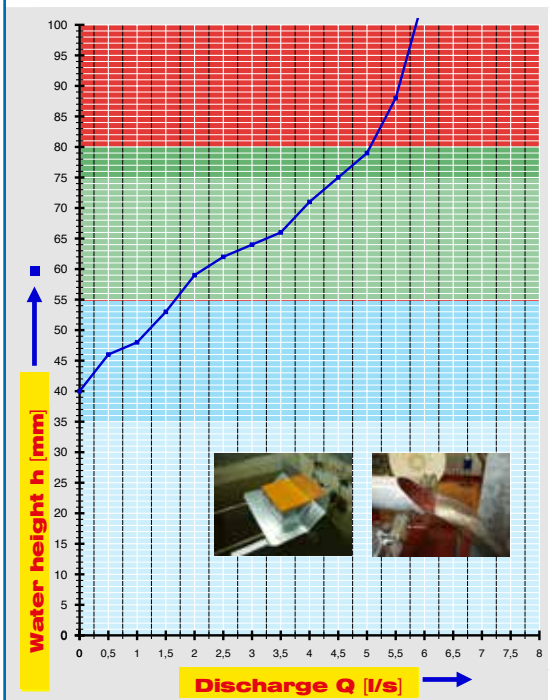
Discharge rate:	4.5 l/s
Water height:	75 mm
Roof penetration:	52 mm
Diameter:	DN 100
LX-Number:	LX 1605
Weir height:	40 mm
Drain:	ventilated
Downpipe:	ventilated
Downpipe height:	-
Drainage:	into the open
Flange form:	bonding flange 45°

LX 1605 Piece list

- 1 x Art.-No. 01334.100X, Parapet direct drain
- 1 x Art.-No. 01317.000X, LORO-X insulation block
- 1 x Art.-No. 15199.100X, LORO-X Spout
- 1 x Art.-No. 13235.100X, LORO-X Sliding flange
- 1 x Art.-No. 00911.100X, LORO-X Sealing elements
- 1 x Art.-No. 00986.000X, LORO-X Lubricant

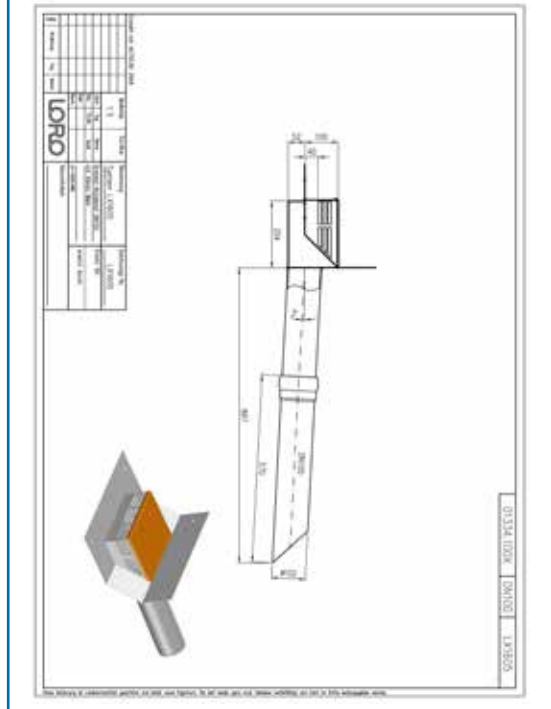


hQ - Discharge curve



System power

CAD



System shape

Water height	mm	5	10	15	20	25	30	35	40	45	50	55	60	65	70	75
Discharge	l/s										1.2	1.7	2.2	3.3	3.9	4.5
Silent																

LORO-X Parapet-Direct emergency drainage, DN 100 with basin, weir height 40 mm and DIN standard discharge rate of 4.5 l/s

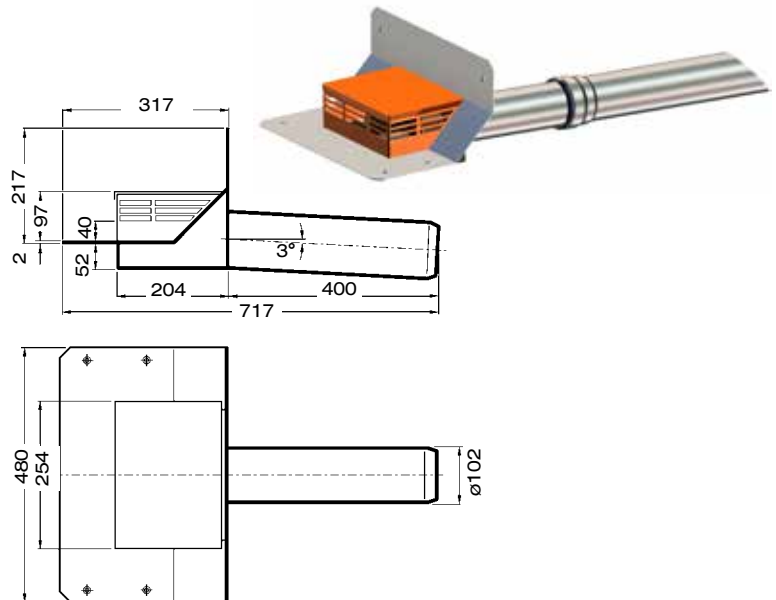
LX1605-3X

Series 43

Drain Art.-No. 01334.100X

Weight: 7.6 kg

with bonding flange
for bituminous roofing sheets
weir height 40 mm

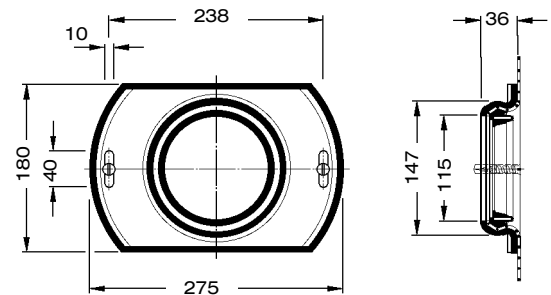


Sliding flange for LORO parapet direct drains

with pre-installed connection sleeve for vapor barrier made of bituminous roofing sheets, made of galvanized steel, including fastening screws

Art.-No. 13235.100X

Weight: 1.7 kg



Trace heating: Lorowerk recommends to check all drains and pipes with regard to their frost-sensibility. Where necessary, these parts should be equipped with a trace heating.